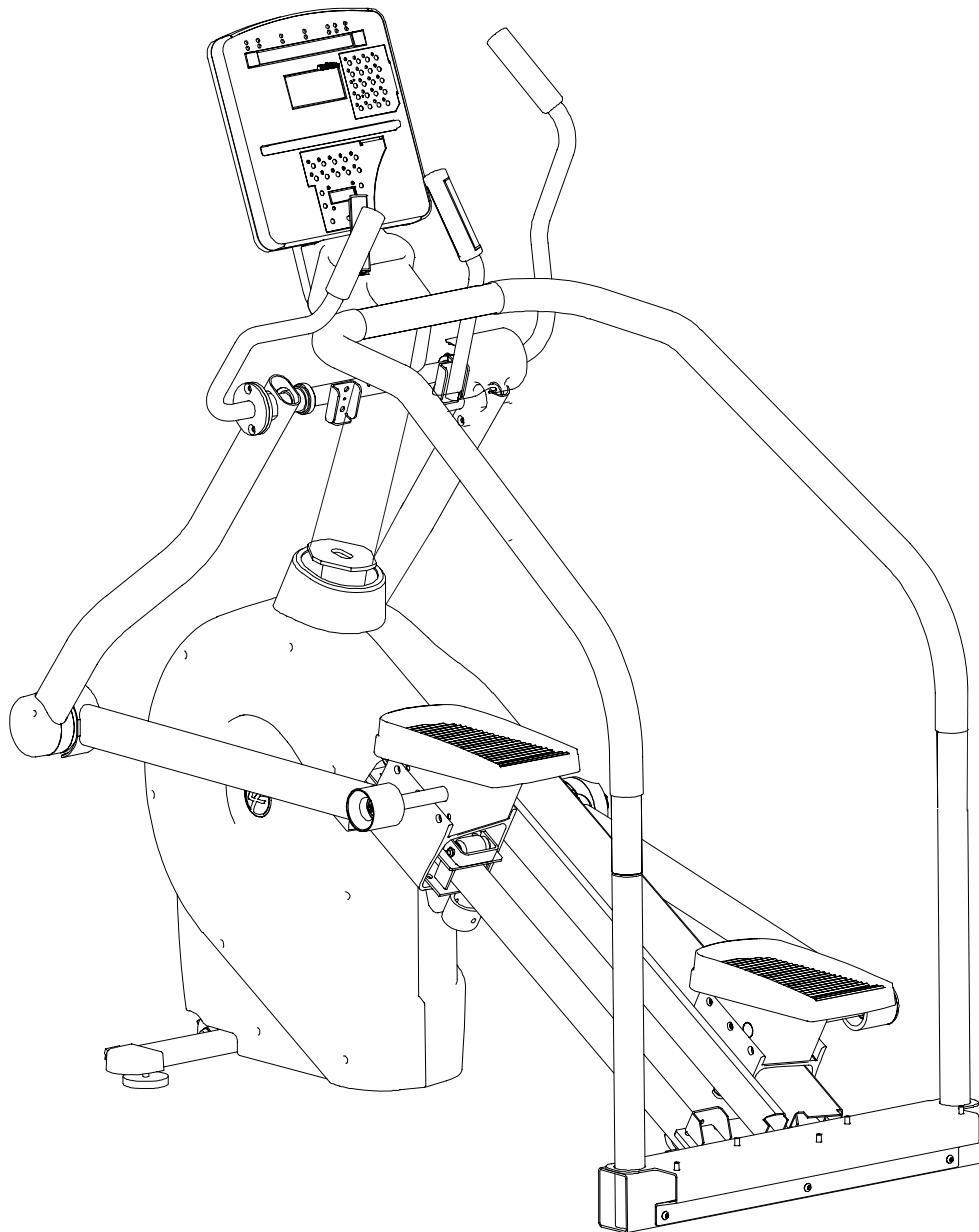


LifeFitness

ARCTIC SILVER SUMMIT
TRAINER 95LE-0XXX-01



Customer Support Services
PARTS MANUAL rev 15 Jan 2008

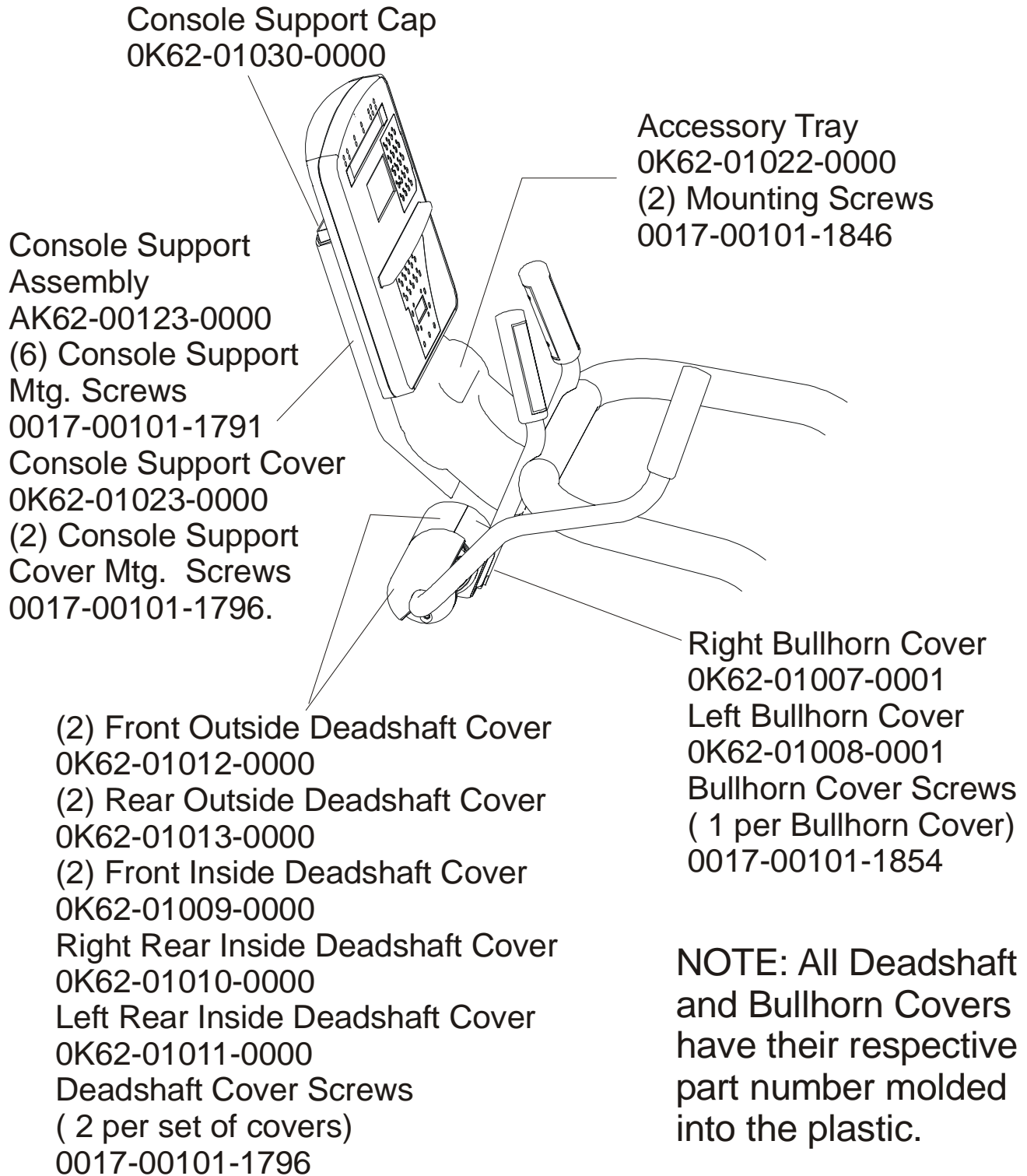
MISCELLANEOUS	3
CONSOLE SUPPORT & DEADSHAFT COVERS.....	4
USER ARMS AND HARDWARE	5
MONOCOLUMN, HANDRAIL AND VERTICAL UPRIGHTS	6
COMPLETE CONSOLE ASSEMBLY	7
CONSOLE COMPONENTS	8
SHROUDS, BOOT AND REAR STEP ASSEMBLY	9
ROCKER ARMS AND CONTROL LINK ASSY'S	10
ROCKER ARM/CONTROL LINK COVERS.....	11
PEDAL TRACK COVERS AND HARDWARE	12
PEDALS, TRUCK AND ROLLERS ASSEMBLY	13
RESISTOR ASSEMBLY AND CROSSOVER PULLEY	14
FLEXONIC BELTS AND TENSIONER BRACKET	15
CLUTCH SHAFT AND SPROCKETS	16
CLUTCH PULLEY AND SHAFT ASSEMBLY	17
TIMING BELTS AND SPRINGS	18
POWER CONTROL BOARD, BATTERY & ALTERNATOR	19
ACCESS PANEL, WHEELS AND LEG LEVELERS	20
LOWER TRACK COVER AND HARDWARE	21
CABLES	22

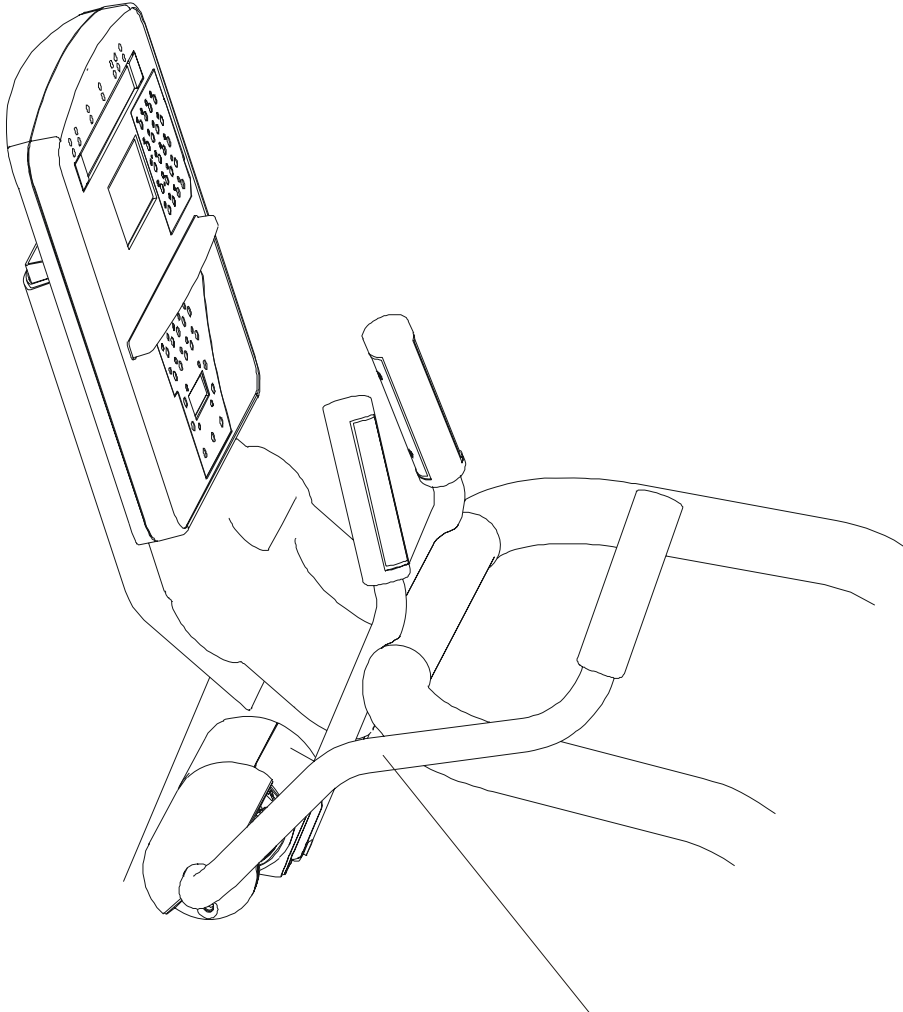
ARCTIC SILVER SUMMIT 95LE
MISCELLANEOUS

95LE-0XXX-01
S/N LEX100000 AND UP

OPERATION MANUAL – (ENG)	M051-00K68-A009
OPERATION MANUAL – (F/S/P)	M051-00K68-A010
OPERATION MANUAL – (G/D/I)	M051-00K68-A011
OPERATION MANUAL – (JAP)	M051-00K68-A012
OPERATION MANUAL – (CHI)	M051-00K68-A013
OPERATION MANUAL – (KOR)	M051-00K68-A014
OPERATION MANUAL – (RUS)	M051-00K68-A015
SERVICE MANUAL	M051-00K68-A030
HARDWARE BAG	AK68-00198-0000
TOUCH UP PAINT: SPRAY CAN .5 OZ BOTTLE W/APPLICATOR .33 OZ PEN	0017-00008-0204 0017-00008-0205 0017-00008-0206
ACCESS PANEL ASSEMBLY ASSY. CONSISTS OF: 90" COAX CABLE 20" POWER CABLE PCB/ACCESS PANEL BRACKET F-TYPE CONNECTOR	AK68-00107-0001 AK32-00020-0001 AK32-00075-0003 0K68-01031-0000 0017-00021-2846
POWER SUPPLY (WALL TO UNIT)	118E-00001-0161
LINE CORD: DOM 10A 125V	0017-00003-0704
LINE CORD: CON 10A 250V	0017-00003-0691
LINE CORD: 10A UK	0017-00003-0889
LINE CORD: AUSTRALIA	0017-00003-0918

Note: The 95LE comes with both Telemetry and Lifepulse Sensors.





Right User Arm with grip

AK68-00143-0001

Left User Arm with grip

AK68-00143-0002

Grip

0K62-01138-0000

(3) User Arm Mtg. Screws

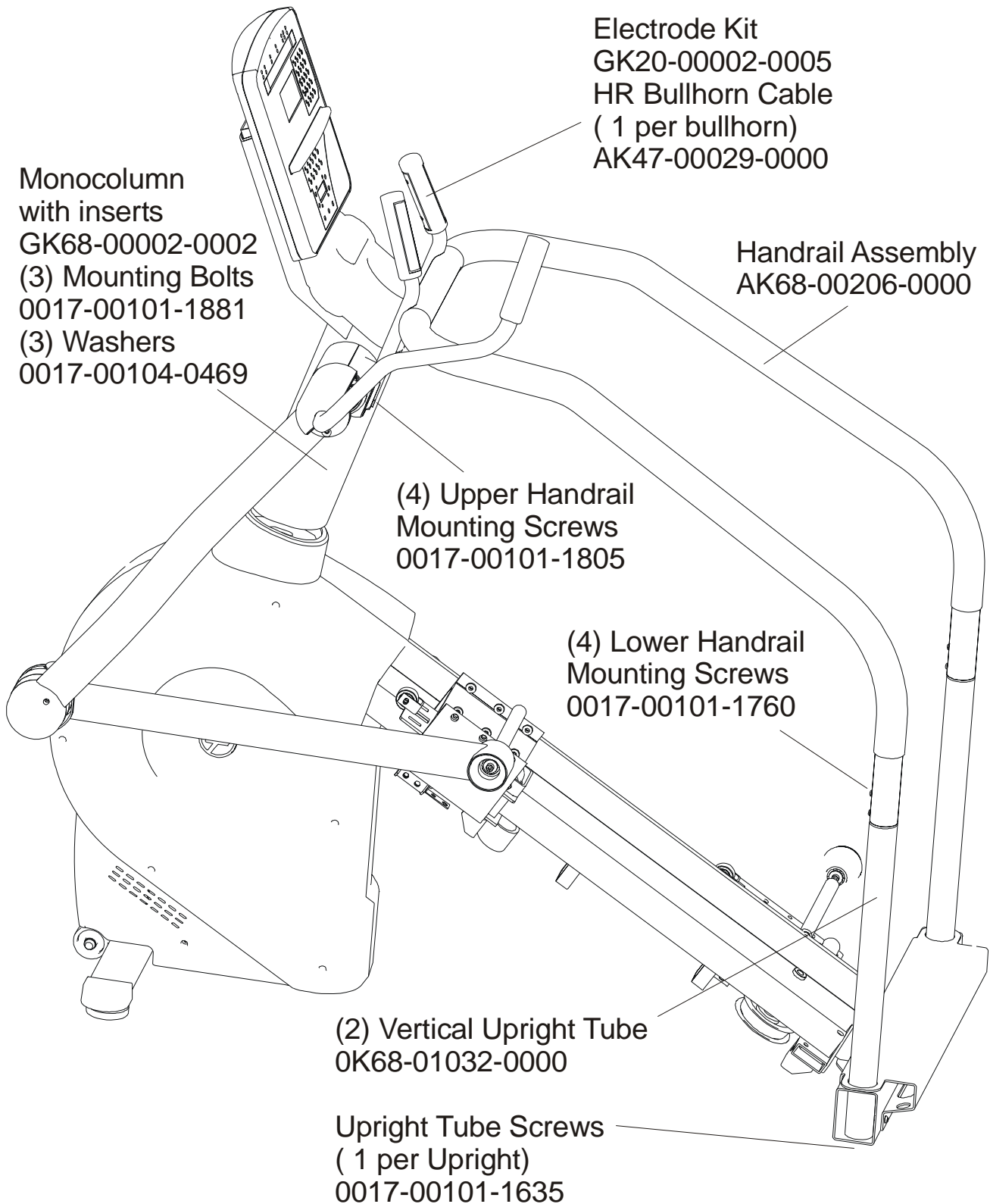
0017-00101-1791

ARCTIC SILVER SUMMIT 95LE

Handrail and Vertical Uprights

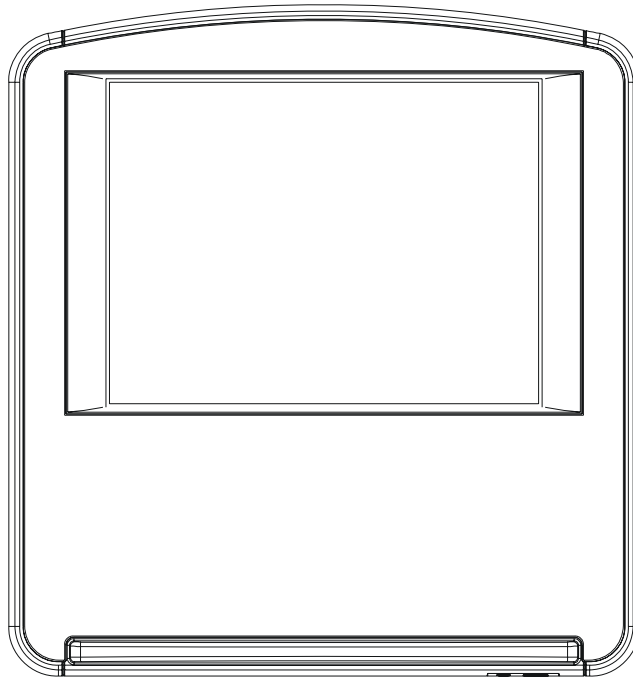
95LE-0XXX-01

S/N LEX100000 AND UP



ARCTIC SILVER SUMMIT 95LE
Complete Console Assembly

95LE-0XXX-01
S/N LEX100000 AND UP



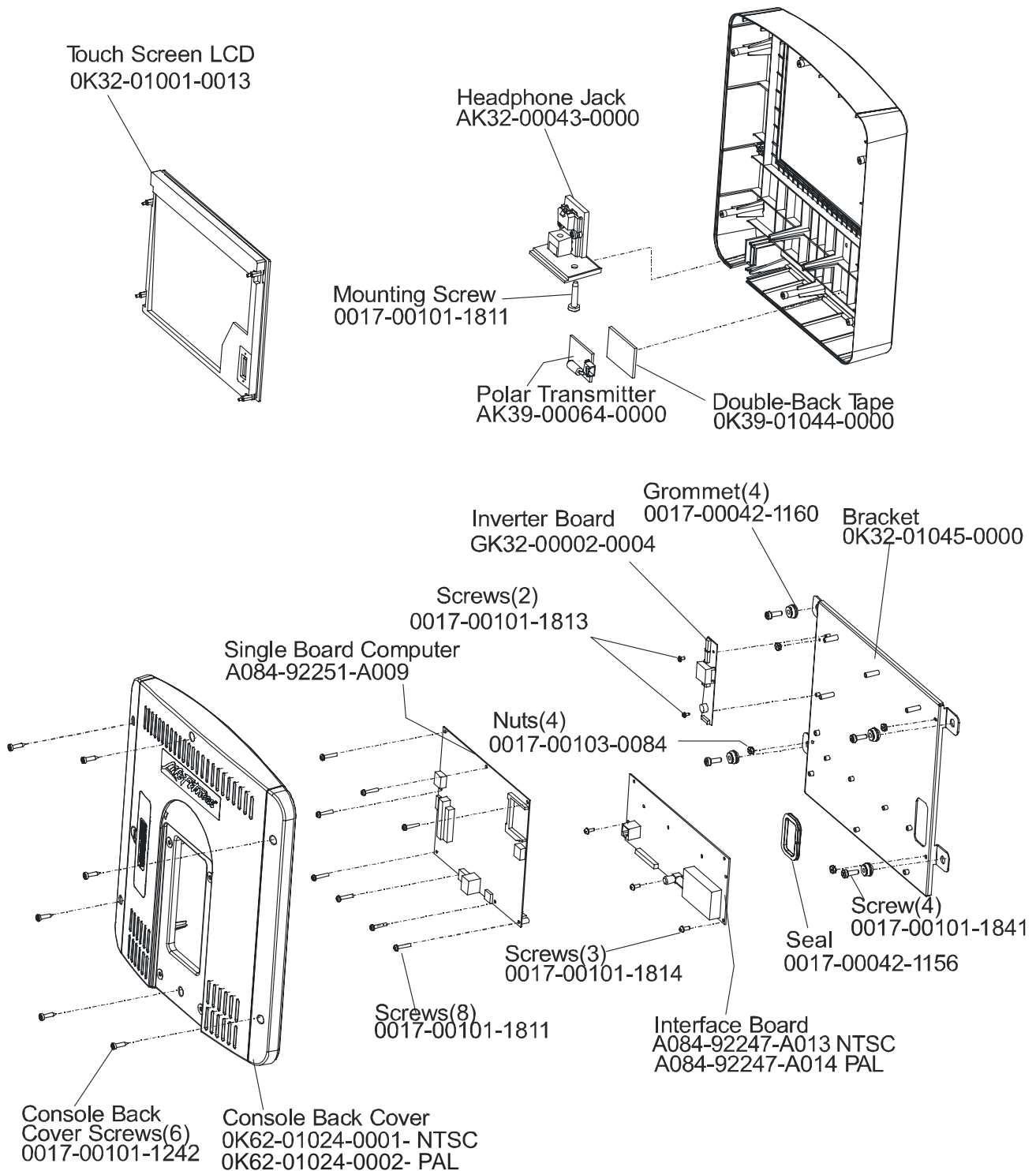
CONSOLE ASSEMBLY	
AK68-00195-0001	CONS-ASSY: MFG; 95LE-01; FM; NTSC; ENG/LED
AK68-00195-0004	CONS-ASSY: MFG; 95LE-01; FM; NTSC; SPN/MET
AK68-00195-0006	CONS-ASSY: MFG; 95LE-01; FM; NTSC; JAP/MET
AK68-00195-0007	CONS-ASSY: MFG; 95LE-01; FM; NTSC; FRN/MET
AK68-00195-0011	CONS-ASSY: MFG; 95LE-01; FM; NTSC; CHI/MET
AK68-00195-0012	CONS-ASSY: MFG; 95LE-01; FM; NTSC; KOR/MET
AK68-00196-0002	CONS-ASSY: MFG; 95LE-01; FM; PAL; ENG+MET
AK68-00196-0003	CONS-ASSY: MFG; 95LE-01; FM; PAL; GER/MET
AK68-00196-0004	CONS-ASSY: MFG; 95LE-01; FM; PAL; SPN/MET
AK68-00196-0007	CONS-ASSY: MFG; 95LE-01; FM; PAL; FRN/MET
AK68-00196-0008	CONS-ASSY: MFG; 95LE-01; FM; PAL; ITL/MET
AK68-00196-0009	CONS-ASSY: MFG; 95LE-01; FM; PAL; DUT/MET
AK68-00196-0010	CONS-ASSY: MFG; 95LE-01; FM; PAL; POR/MET
AK68-00196-0011	CONS-ASSY: MFG; 95LE-01; FM; PAL; CHI/MET
AK68-00196-0012	CONS-ASSY: MFG; 95LE-01; FM; PAL; RUS/MET

ARCTIC SILVER SUMMIT 95LE

Console Components

95LE-0XXX-01

S/N LEX100000 AND UP

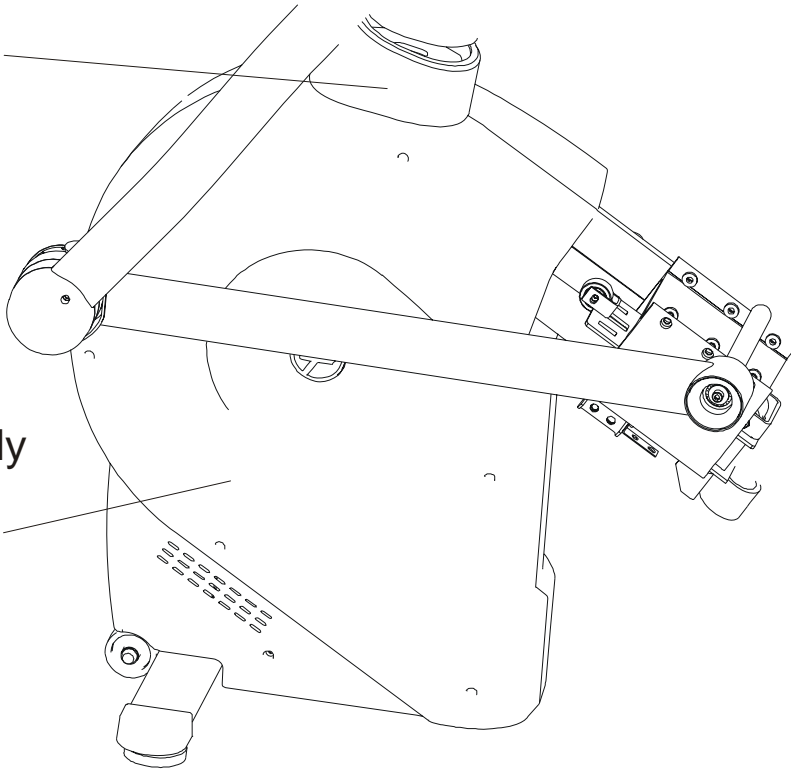


ARCTIC SILVER SUMMIT 95LE
Shrouds, Boot and Rear Step Assembly

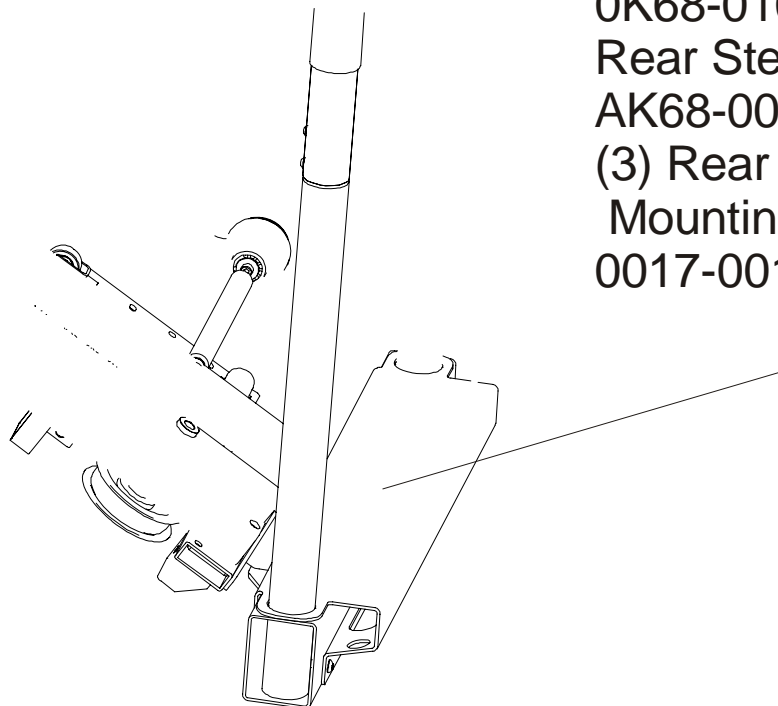
95LE-0XXX-01
S/N LEX100000 AND UP

Monocolumn Boot
0K68-01061-0000

Right Shroud Assembly
AK68-00176-0000
Left Shroud Assembly
AK68-00176-0001
Shroud Mtg. Screws
(6 per shroud)
0017-00101-1796

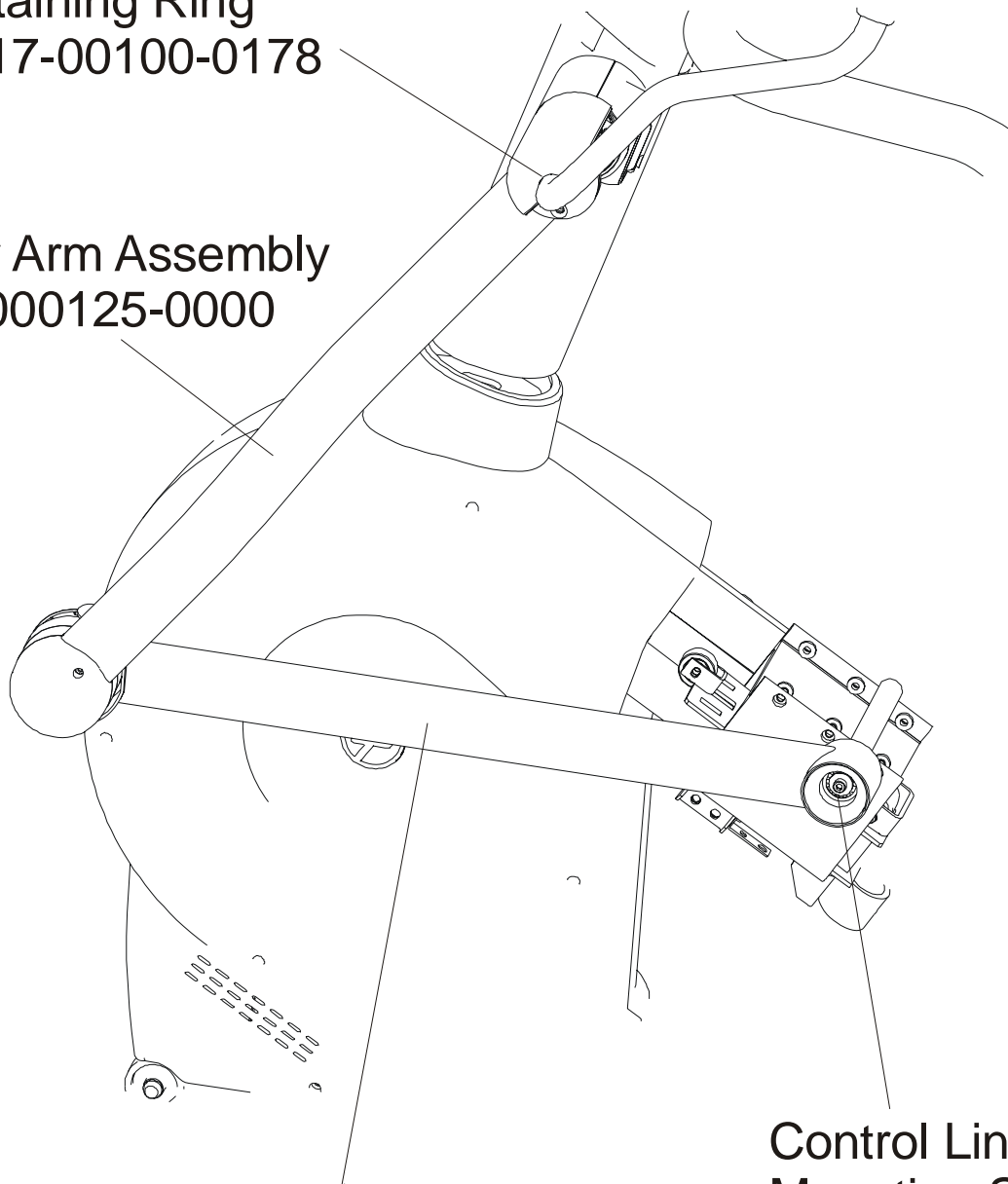


Rear Step (plastic only)
0K68-01020-0000
Rear Step Assembly
AK68-00136-0000
(3) Rear Step
Mounting Screws
0017-00101-1903



Rocker Arm Washer
0017-00104-0418
Retaining Ring
0017-00100-0178

Rocker Arm Assembly
AK68-000125-0000

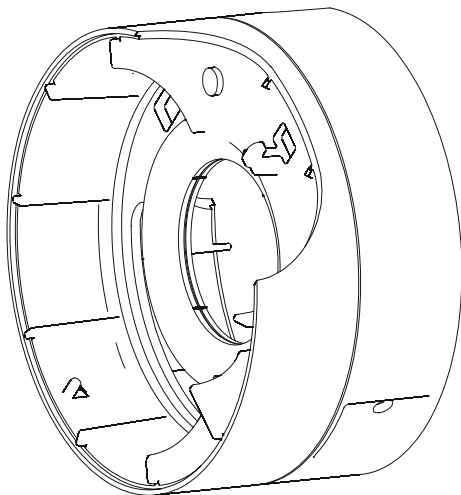
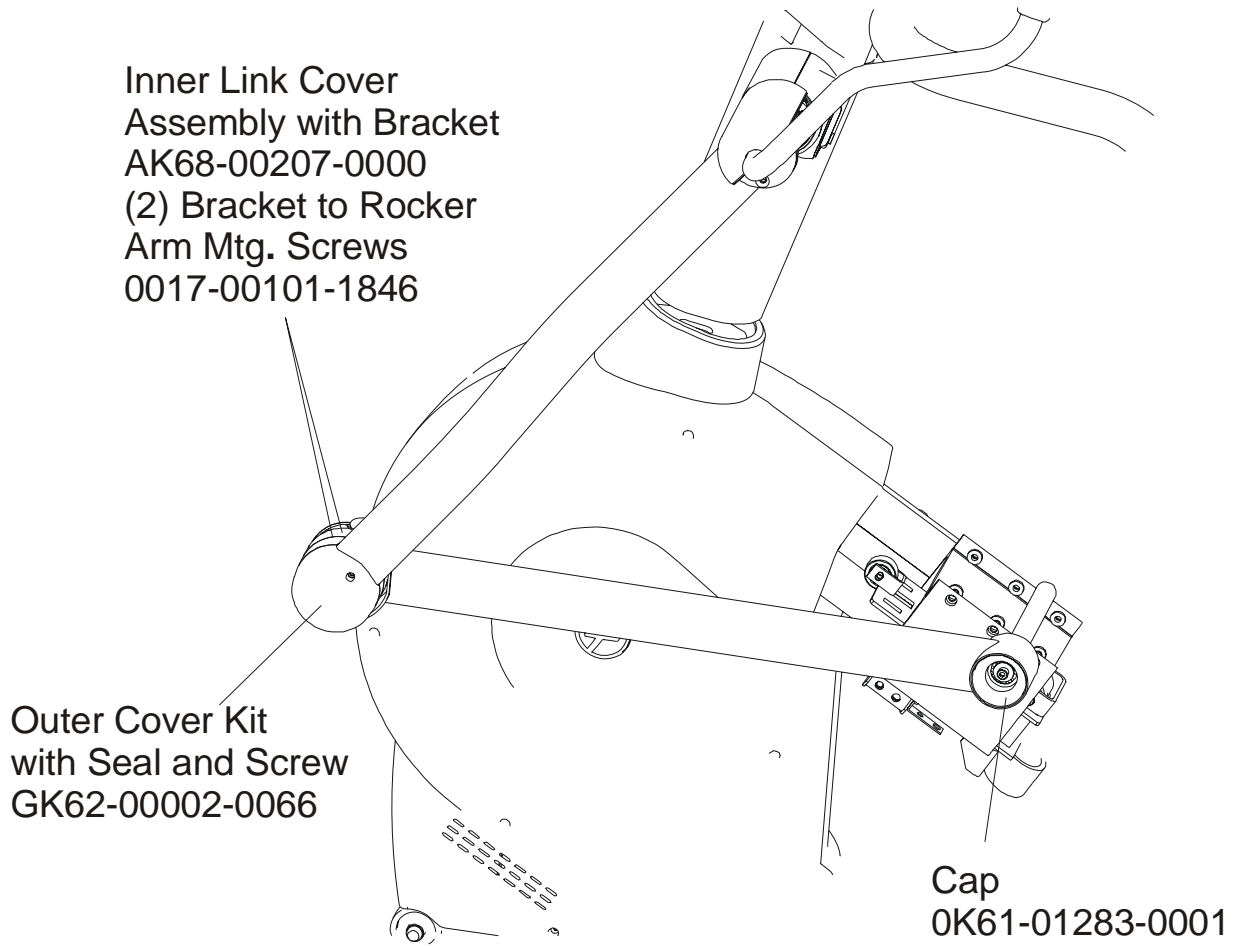


Control Link Assembly
AK68-00147-0000

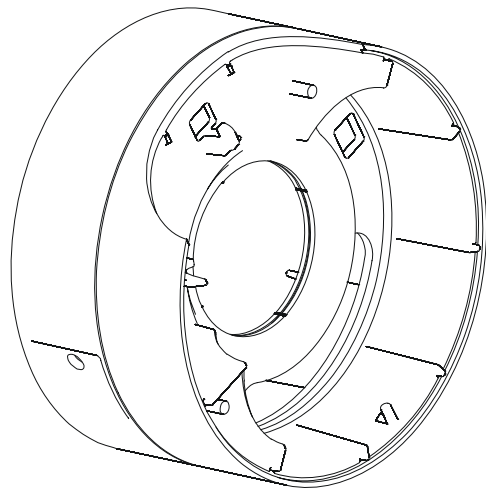
Control Link
Mounting Screw
0017-00101-1881
and Washer
0017-00104-0479

ARCTIC SILVER SUMMIT 95LE
Rocker Arm/Control Link Covers

95LE-0XXX-01
S/N LEX100000 AND UP



Right Clevis Cover Assy.
AK68-00154-0001



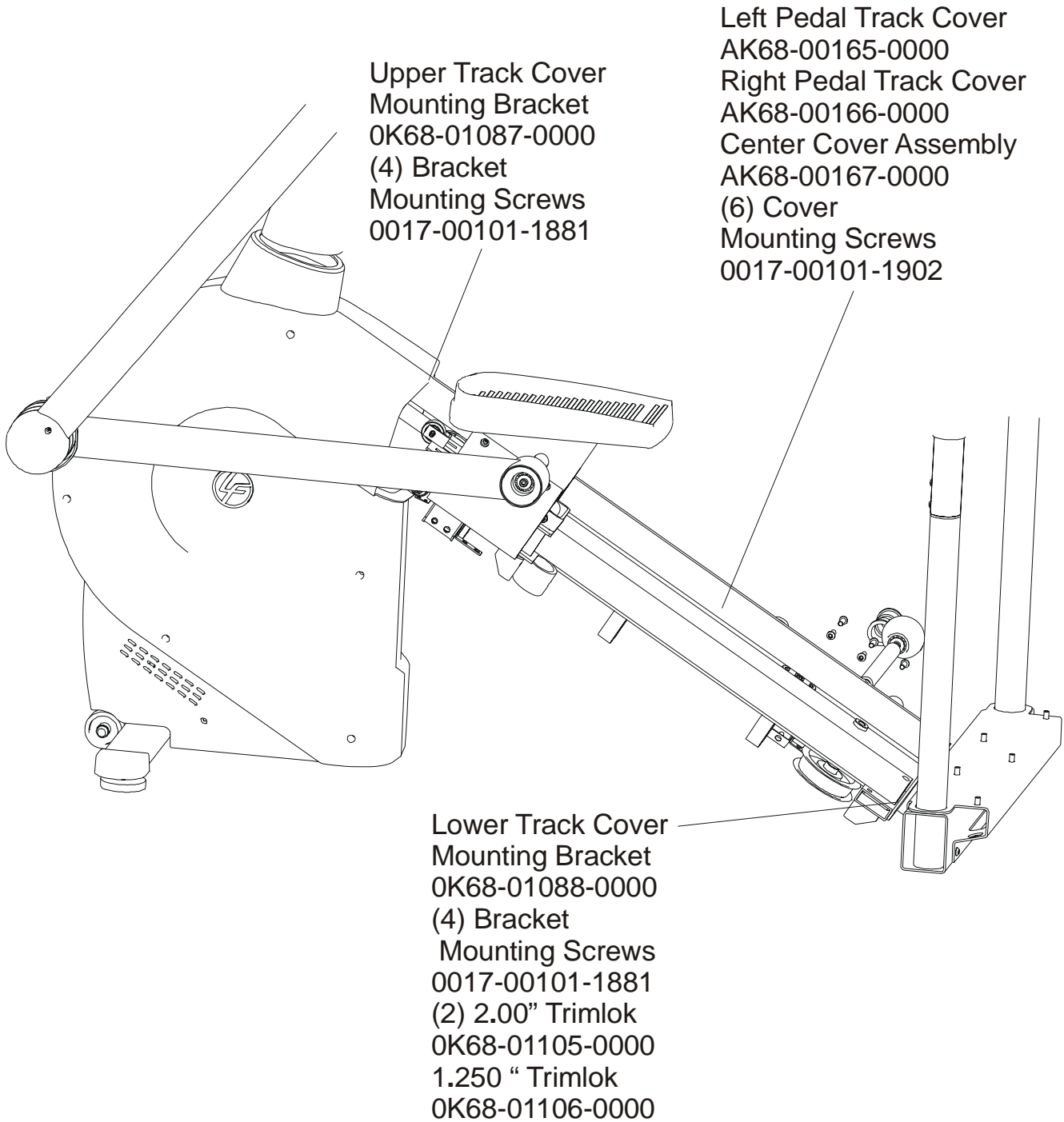
Left Clevis Cover Assy.
AK68-00154-0002

ARCTIC SILVER SUMMIT 95LE

Pedal Track Covers & Hardware

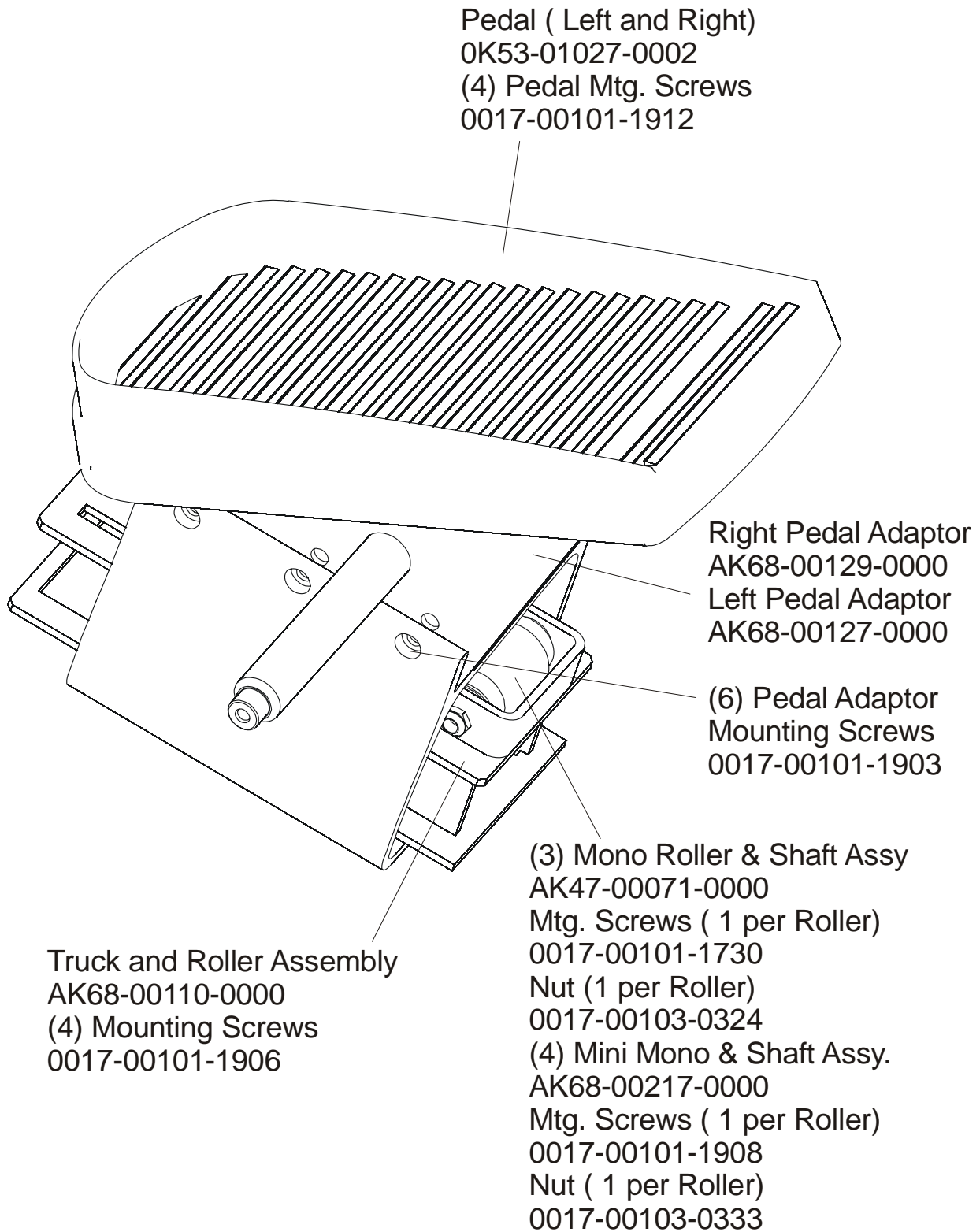
95LE-0XXX-01

S/N LEX100000 AND UP



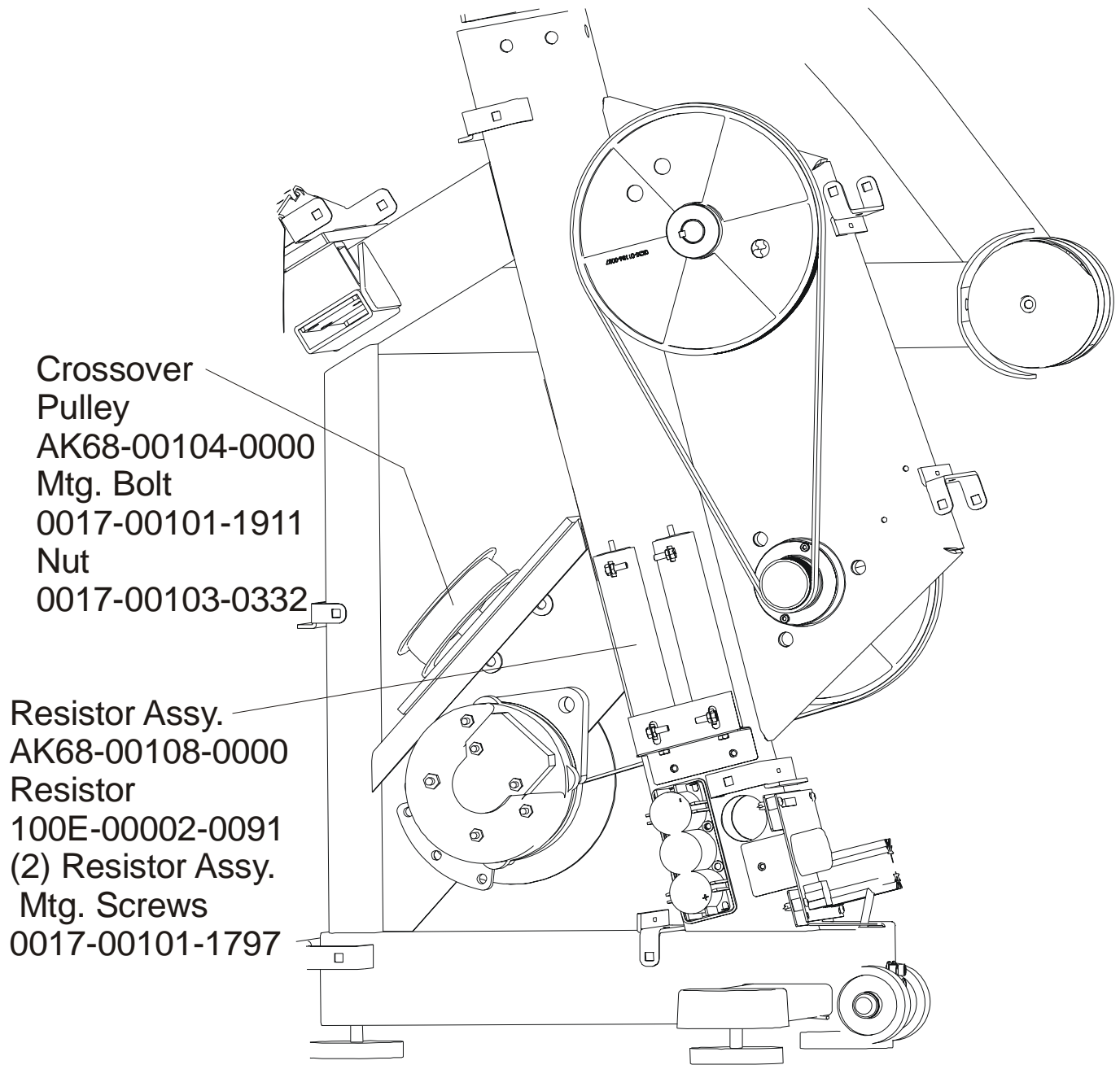
ARCTIC SILVER SUMMIT 95LE
Pedals, Truck and Roller Assembly

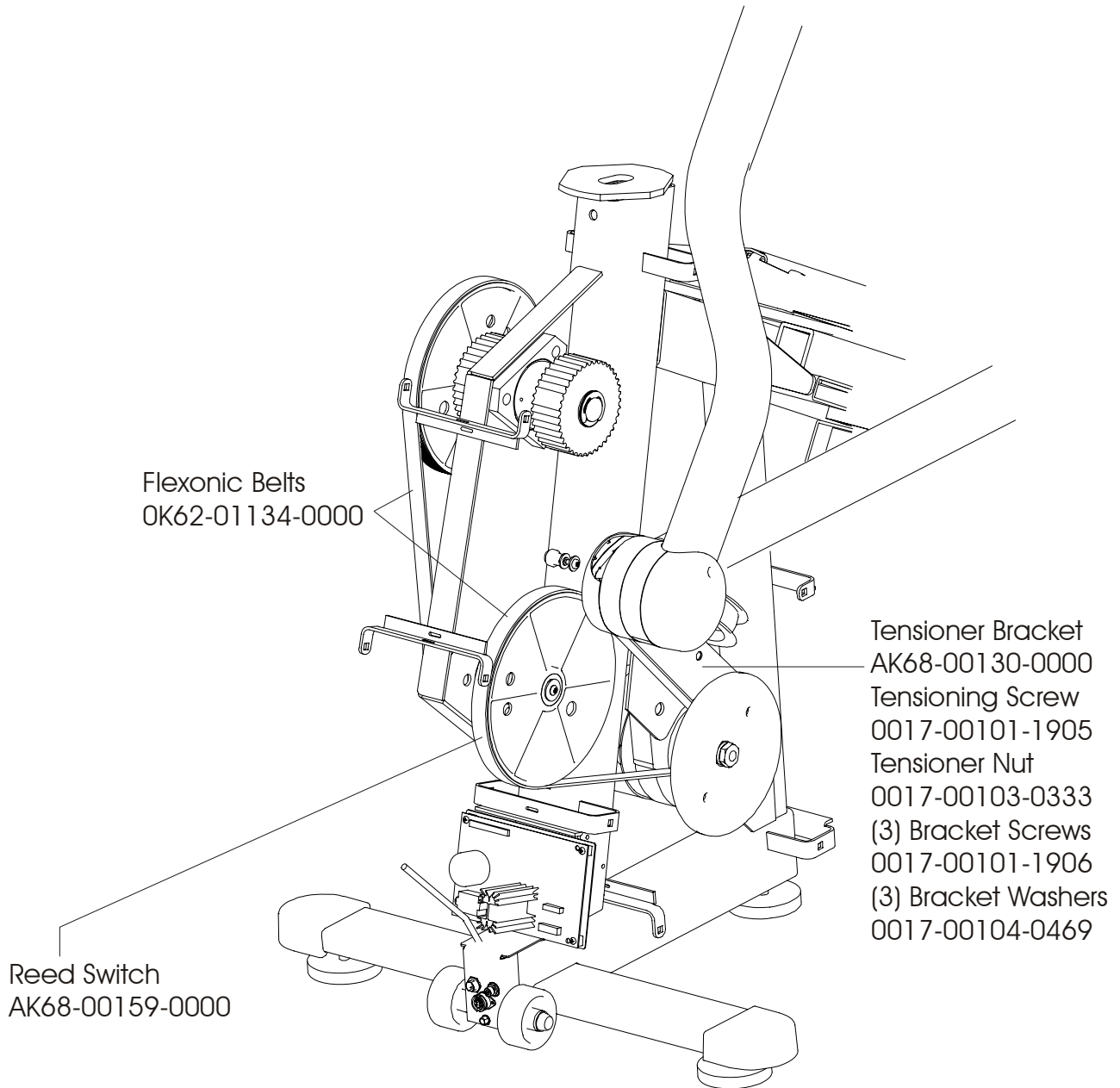
95LE-0XXX-01
S/N LEX100000 AND UP



ARCTIC SILVER SUMMIT 95LE
Resistor Assembly and Pulleys

95LE-0XXX-01
S/N LEX100000 AND UP



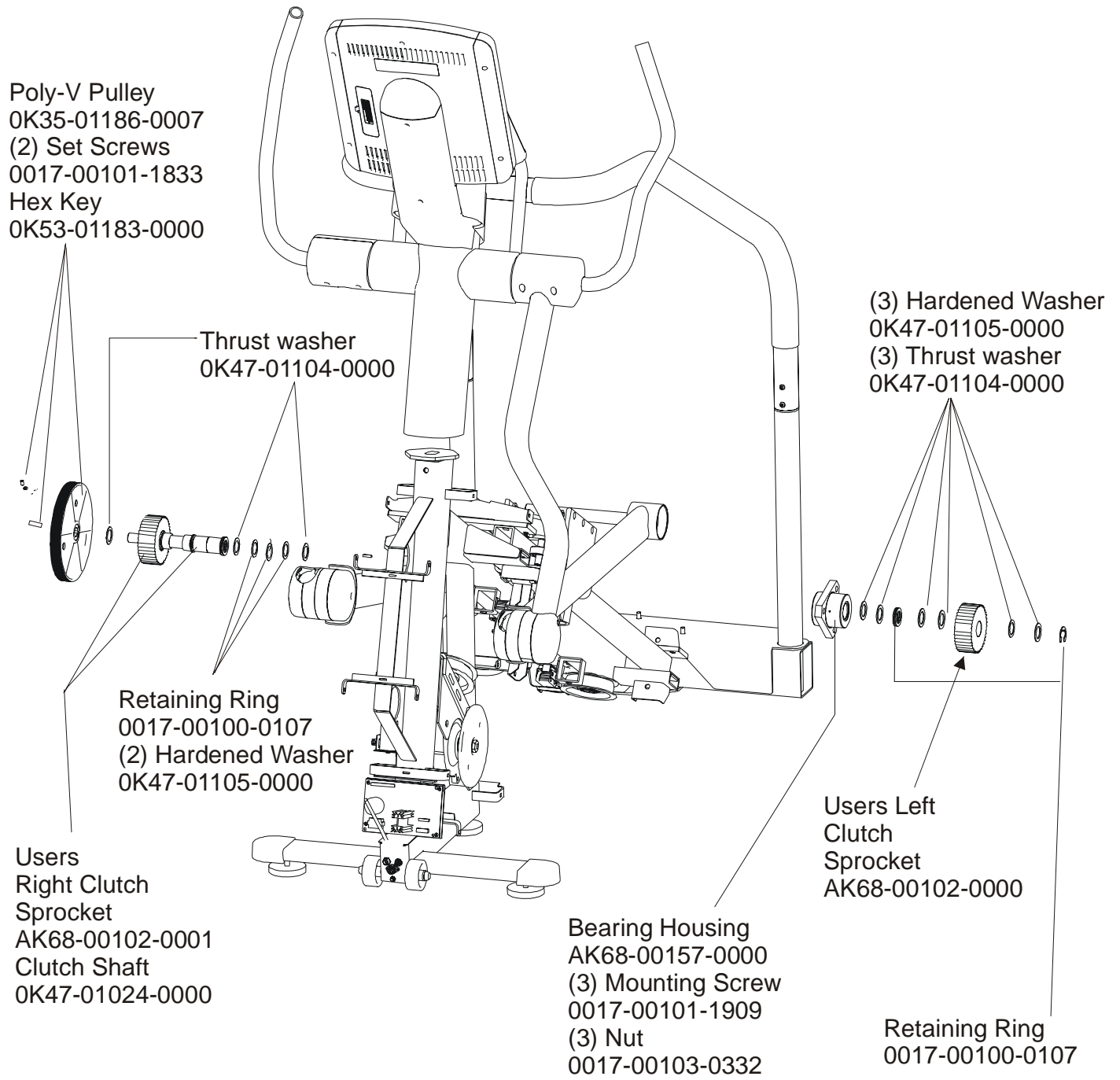


ARCTIC SILVER SUMMIT 95LE

Clutch shaft and Sprockets

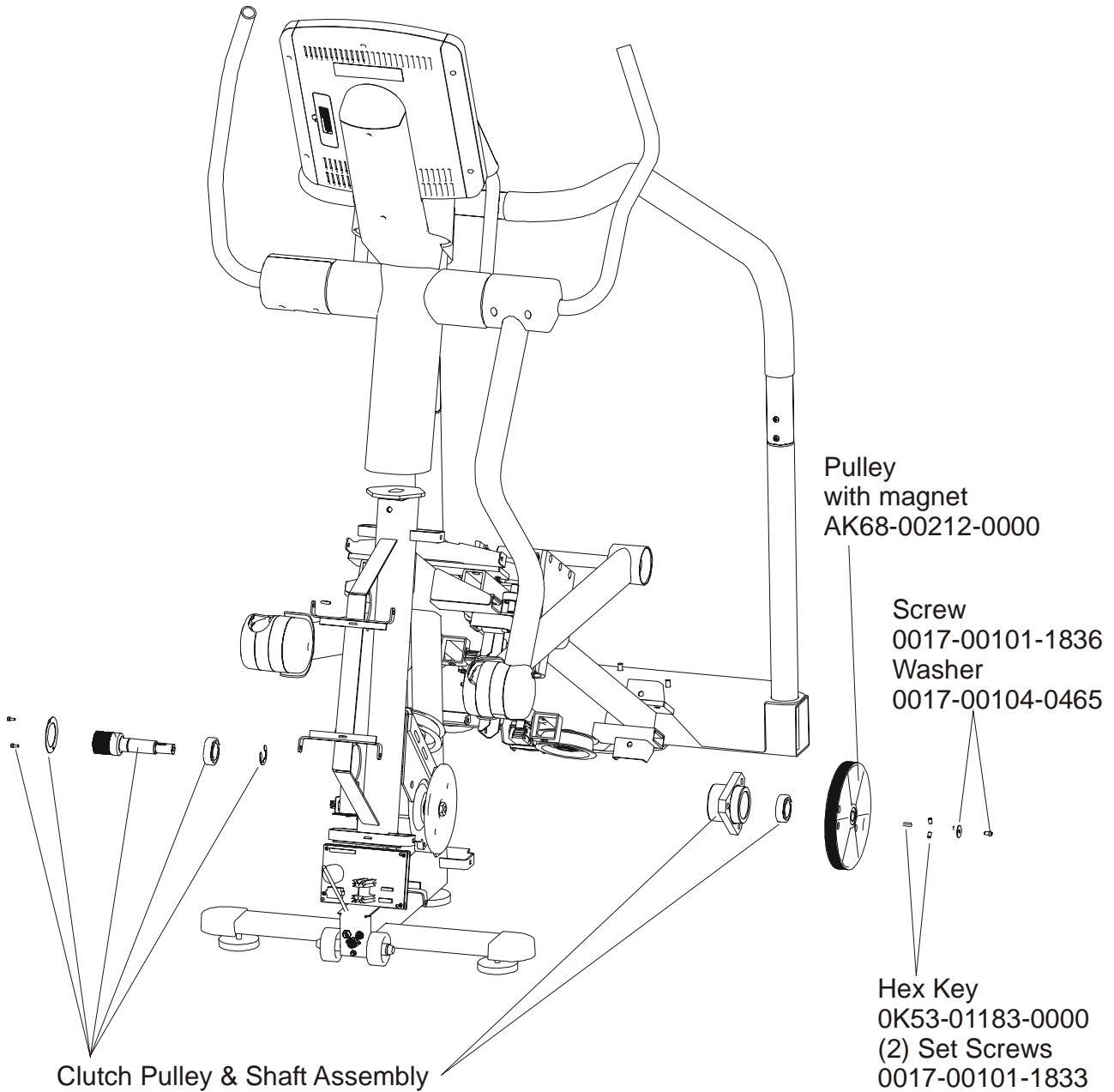
95LE-0XXX-01

S/N LEX100000 AND UP



ARCTIC SILVER SUMMIT 95LE
Clutch Pulley and Shaft Assembly

95LE-0XXX-01
S/N LEX100000 AND UP



Clutch Pulley & Shaft Assembly
AK68-00105-0000
Assembly includes:
(2) Bearings, Bearing Housing,
Intermediate Shaft, Bearing Retainer,
Retaining Rings and Bearing Retainer
mounting screws.

Note: The following parts
are used on each end
of both Timing Belts:

Belt Terminator

0K35-01105-0000

Bracket

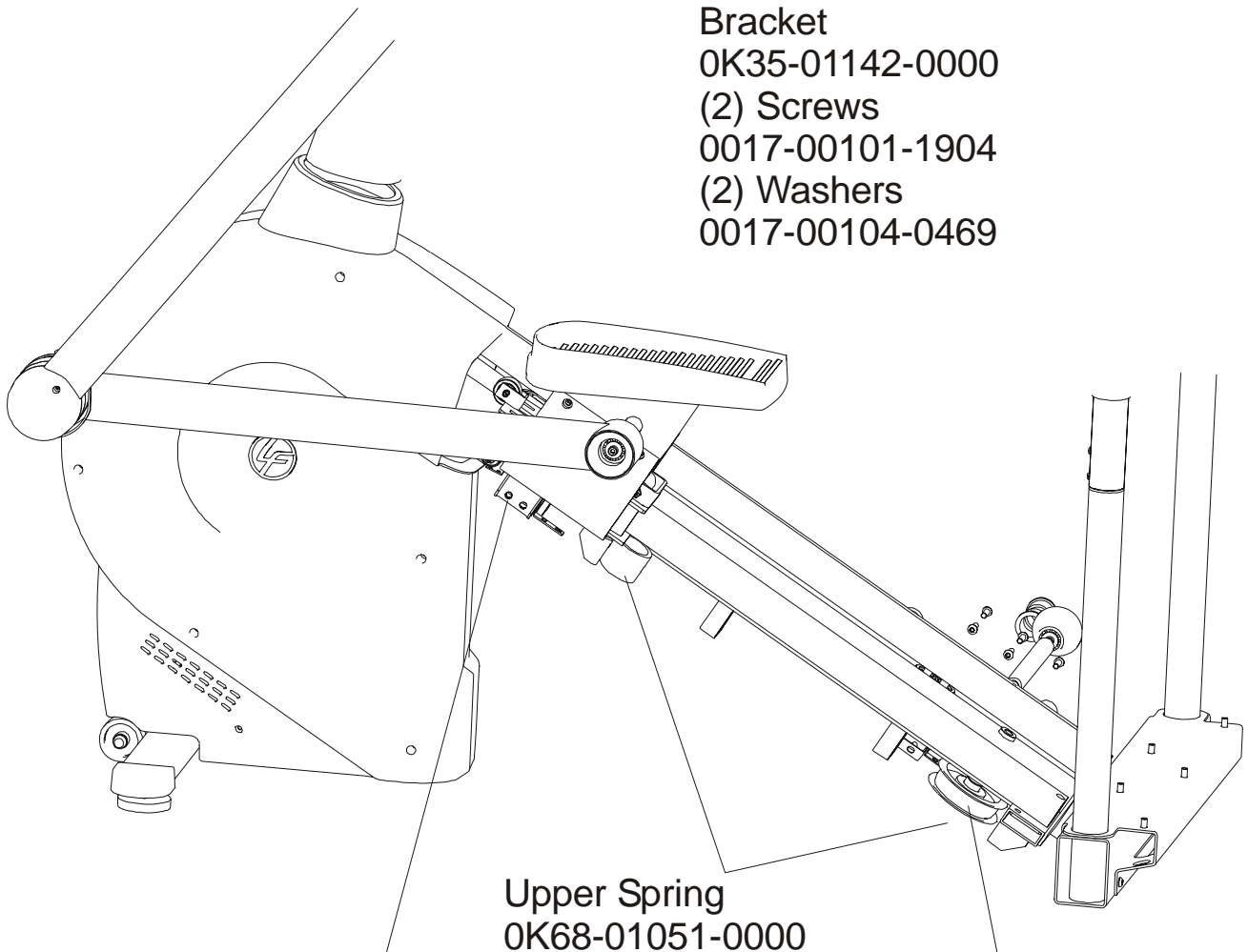
0K35-01142-0000

(2) Screws

0017-00101-1904

(2) Washers

0017-00104-0469



Upper Timing Belt
AK68-00210-0000

Upper Spring
0K68-01051-0000

Lower Spring
0K68-01081-0000

Spring Mtg. Screws
(1 per Spring)
0017-00101-1902

Washers
(1 per Spring)
0017-00104-0465

Crossover Pulley
AK68-00104-0000

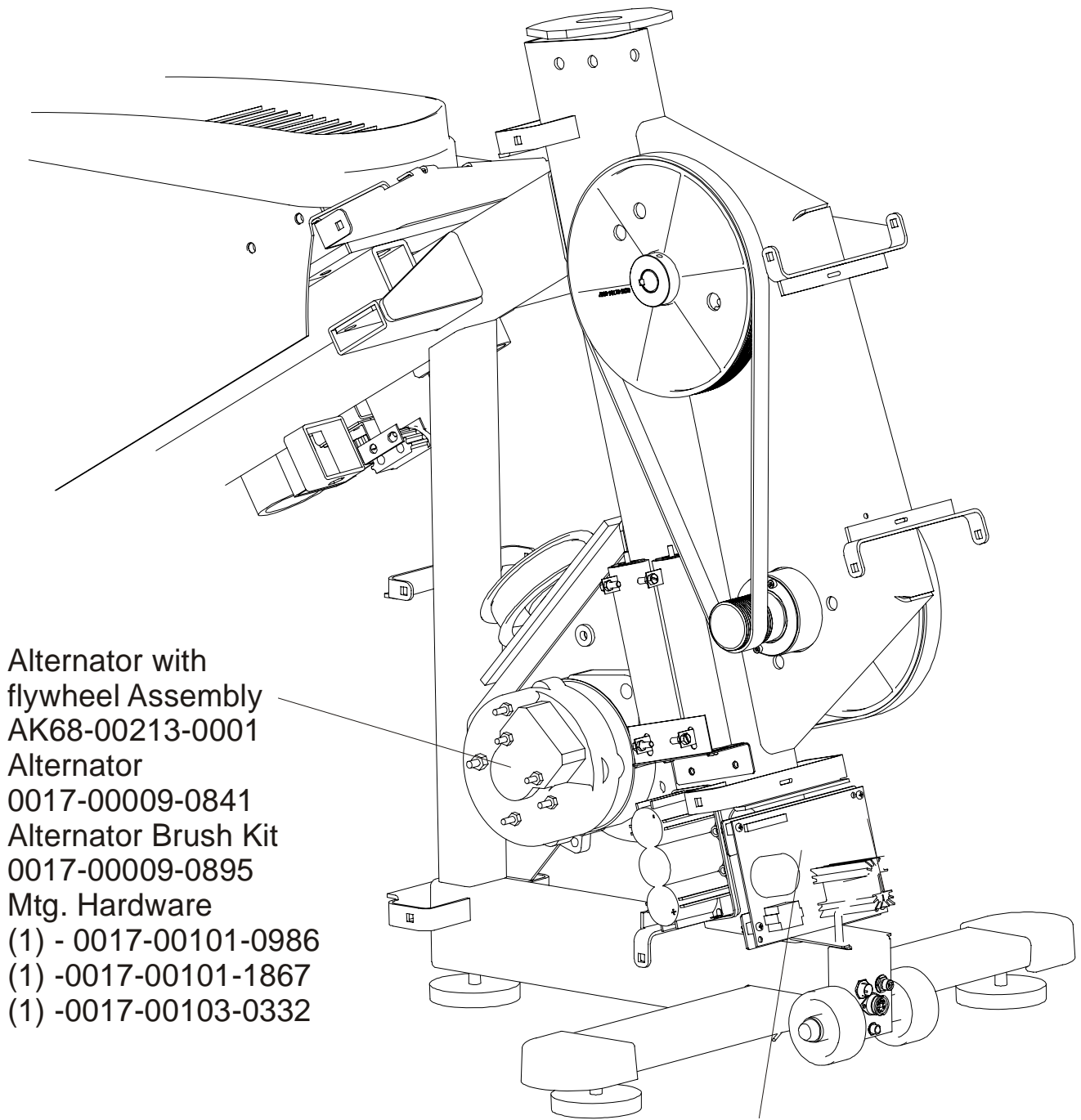
Pulley Mtg. Screw
0017-00101-1911

Nut
0017-00103-0332

Lower Timing Belt
AK68-00211-0000

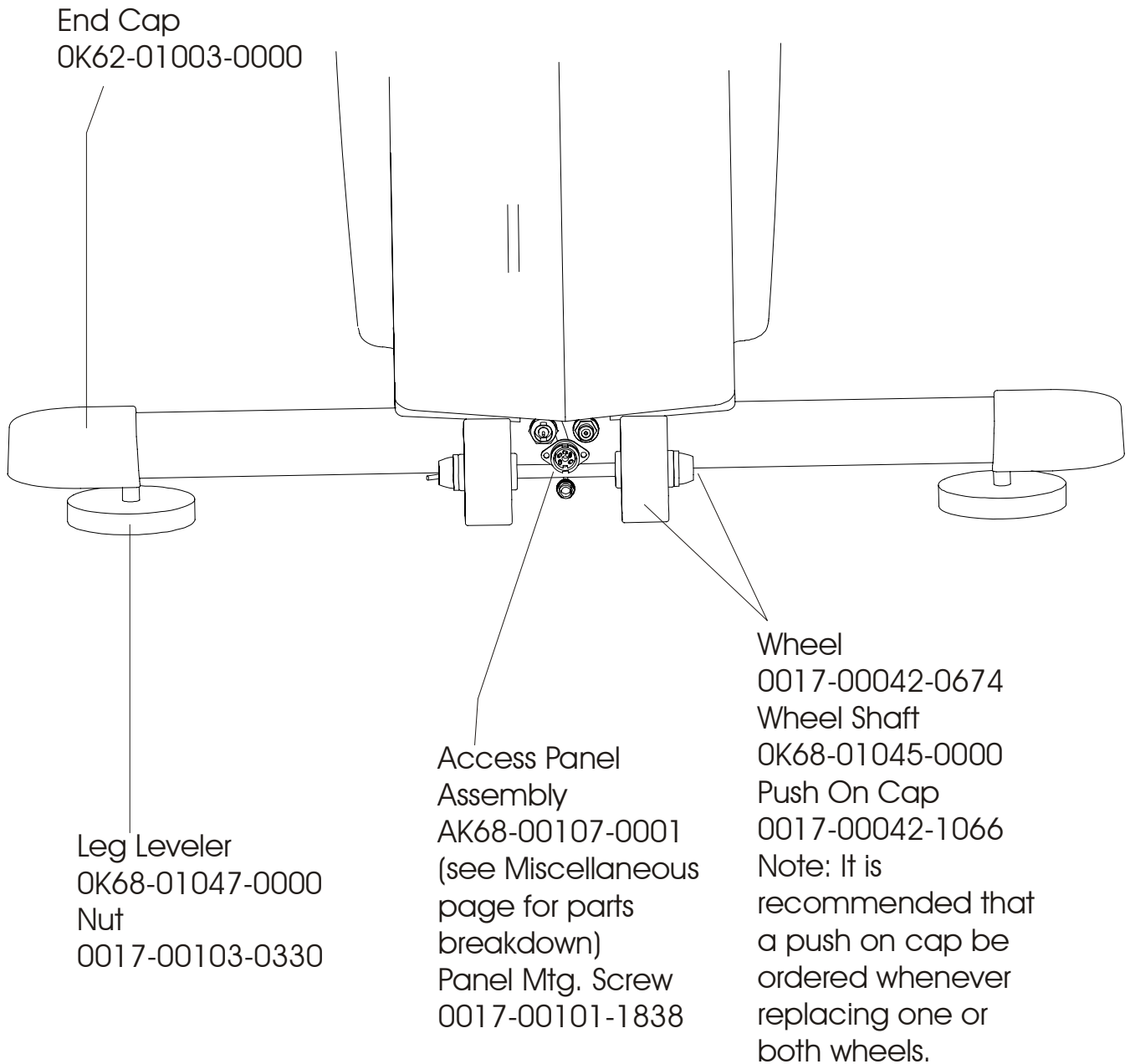
ARCTIC SILVER SUMMIT 95LE
Lower PCB, Battery and Alternator

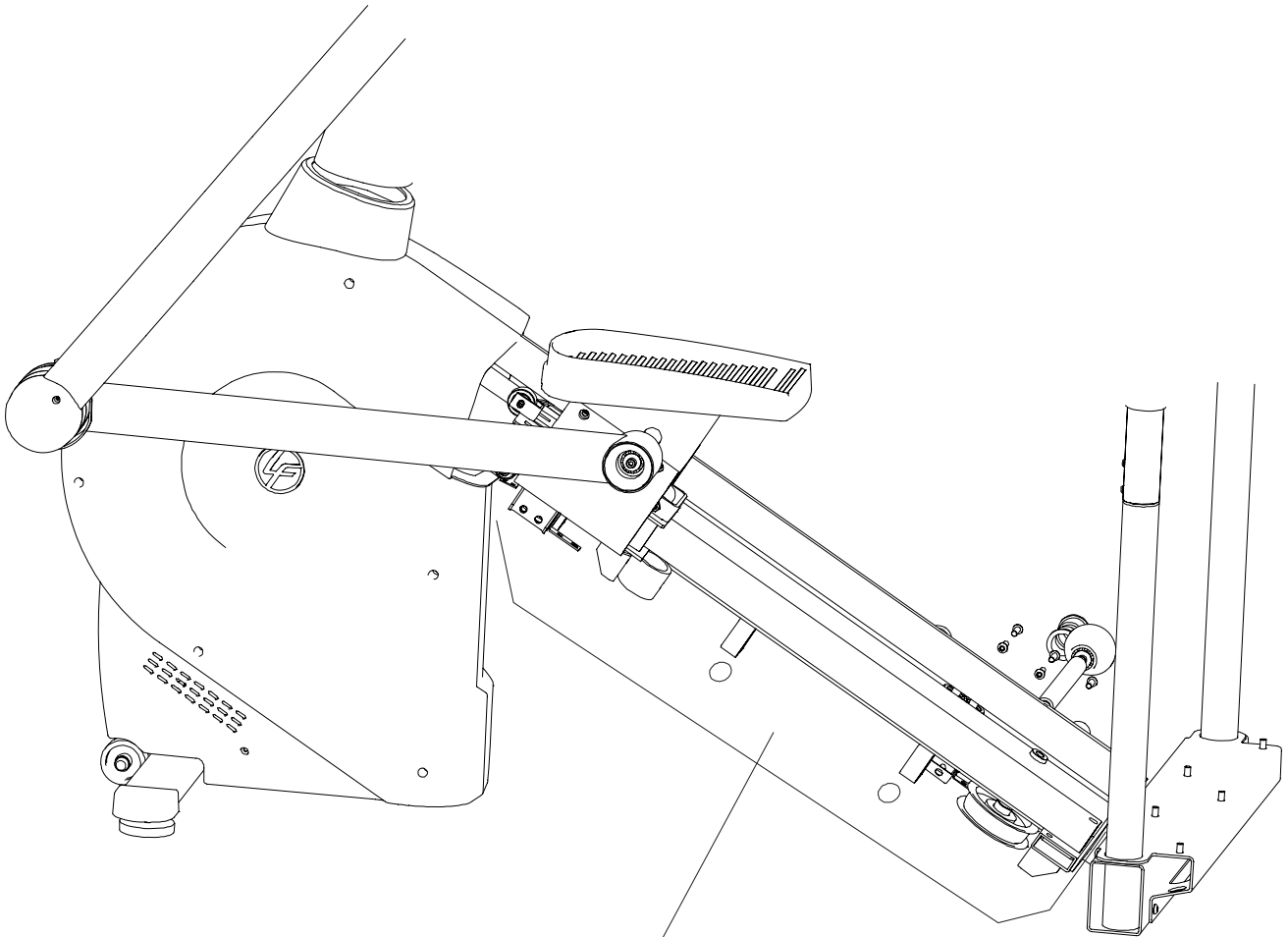
95LE-0XXX-01
S/N LEX100000 AND UP



- Alternator with flywheel Assembly
AK68-00213-0001
- Alternator
0017-00009-0841
- Alternator Brush Kit
0017-00009-0895
- Mtg. Hardware
 - (1) - 0017-00101-0986
 - (1) - 0017-00101-1867
 - (1) - 0017-00103-0332

- Power Control Board
B084-92280-A000
- (4) PCB Mtg. Screws
0017-00101-1838





Lower Track Cover Assembly
AK68-00220-0000
Mounting Screw (3)
0017-00101-1906
Washer, Nylon (3)
0017-00104-0485
Flat Washer (3)
0017-00104-0479

